



Enabling Grids for E-science

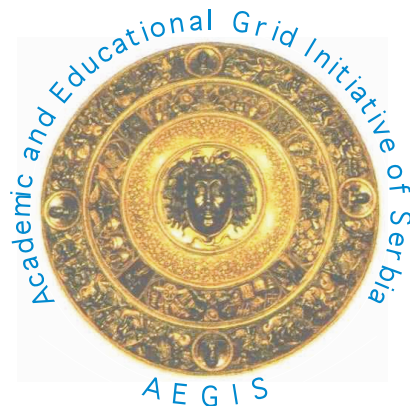
Brief History of Linux

Vladimir Slavnic

slavnic@scl.rs

Scientific Computing Laboratory

Institute of Physics Belgrade, Serbia



SEE-GRID-SCI
SEE-GRID infrastructure for regional eScience

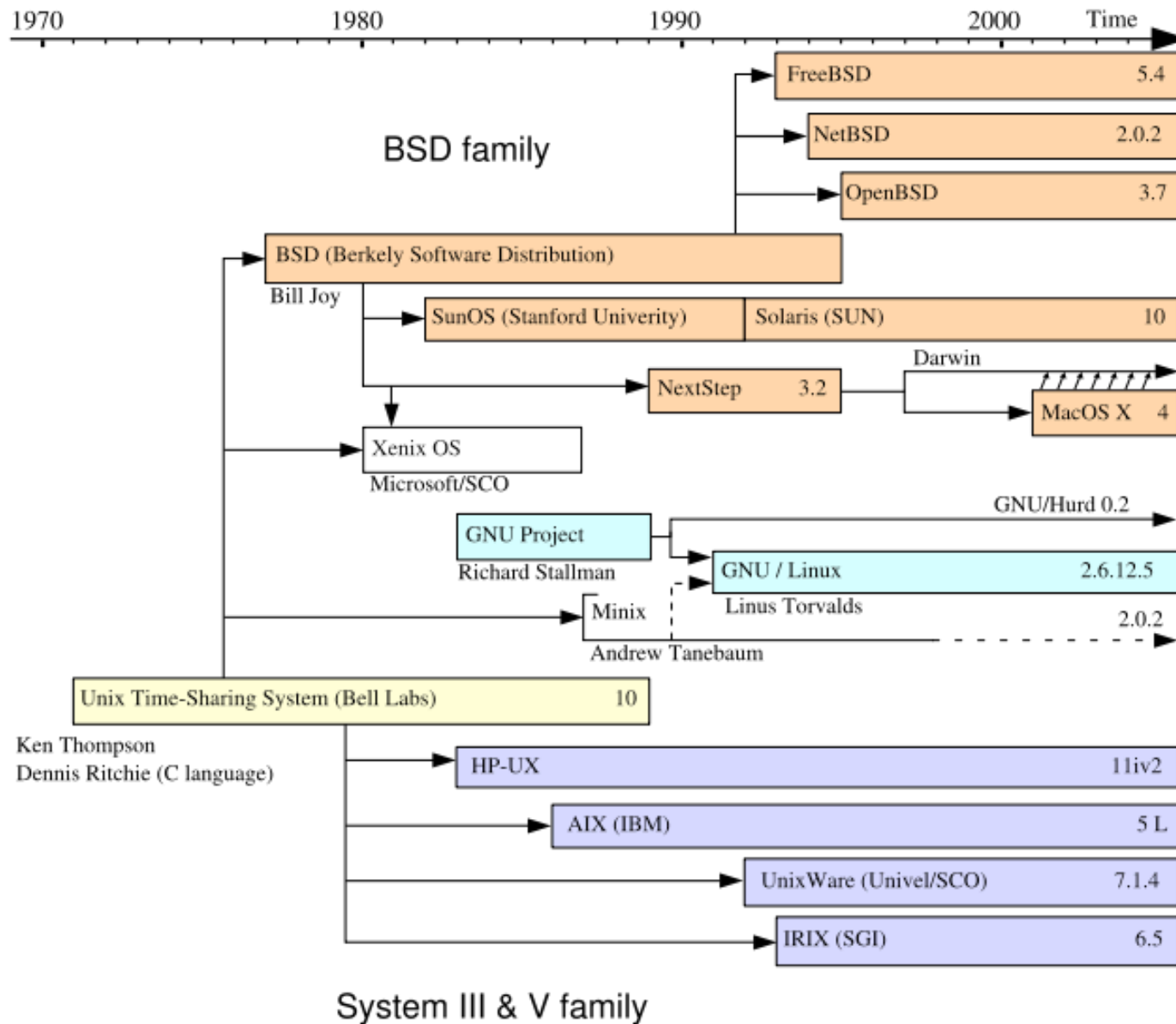


Nov. 18, 2008

www.eu-egee.org



Unix like Systems History



- 1973. Licensing of UNIX by AT&T
- Copyright
- 1983/1984. GNU's not UNIX – Richard Stallman
- Copyleft



- **Free software is the matter of liberty, not price. To understand the concept you should think of free as in free speech, not as in free beer.**
- **Free Software Foundation**
 - The freedom to run the program, for any purpose (freedom 0).
 - The freedom to study how the program works, and adapt it to your needs (freedom 1). Access to the source code is a precondition for this.
 - The freedom to redistribute copies so you can help your neighbor (freedom 2).
 - The freedom to improve the program, and release your improvements to the public, so that the whole community benefits (freedom 3). Access to the source code is a precondition for this.

- **Main distributions**
 - Red Hat Enterprise, Fedora Core
 - SuSE Linux Enterprise, Open SuSE
 - Debian
 - Slackware
 - Mandriva
 - Ubuntu

 - Scientific Linux, CERN Linux

- **Shell**
- **Desktop Environments**
 - KDE
 - GNOME
 - Window Maker
 - Black Box